

QUICKSTART GUIDE



TYPE C SAFE LISTENING HEADPHONES FOR KIDS

model: HP-KJ55U

www.MEEaudio.com/KidJamz

MUSIC ENJOYMENT FOR EVERYONE

MICROPHONE AND REMOTE

The inline microphone and remote can be used during phone calls and to control media playback with compatible devices.

USING THE REMOTE BUTTON:



Function	Operation
Answer / End phone call	Press the remote button
Play / Pause media	Press the remote button
Next track*	Double-press the remote button
Previous track*	Triple-press the remote button
Activate Siri® / Google Assistant™ / Voice control*	Press and hold the remote button

*With devices and apps that support this functionality

QUESTIONS? WE'RE HERE TO HELP!

Phone Support: 626-965-1008
Monday ~ Friday 9:00 am to 5:00 pm PST

Email Support: support@MEEaudio.com
All emails are responded to within 2 business days



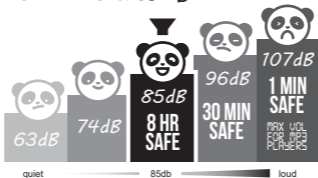
ABOUT OUR VOLUME-LIMITING TECHNOLOGY

Regular headphones and earphones can easily exceed safe listening volumes by as much as 30% when used with portable audio devices, and may cause permanent hearing damage with lengthy or repeated exposure.

KidJamz headphones utilize an integrated volume limiter to maintain the sound pressure level (SPL) at 85dB as recommended by most medical organizations, protecting young ears and helping create lifelong good listening habits.

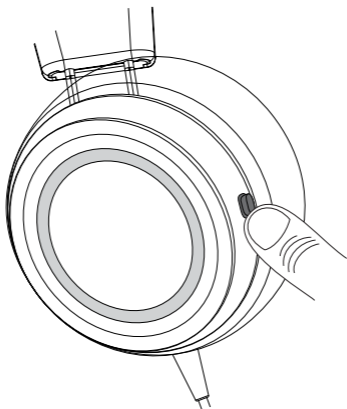
Note: 85dB limit is based on average SPL measurement of a typical portable device's audio output (1mW). While the limiter is designed to restrict the volume to a safe level with a typical portable audio device, some high power audio systems may still produce sound levels that are above safe levels for children. It is important for parents and guardians to periodically check children's use of these headphones and ensure that they are being used in a safe and responsible manner.

SAFE LISTENING VOLUME
FOR ALL AGES: **85 dB**



LIGHT MODES

Cycle through different light colors and patterns



LIGHT MODE BUTTON:

Function	Operation
Cycle through different light colors and patterns	Single press
Turn on / Turn off lights	Press & hold 3s

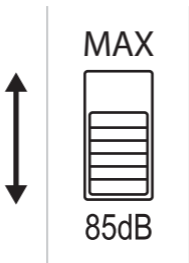
VOLUME LIMITER ON/OFF SWITCH

KidJamz headphones feature a switch that allows the volume limiter to be disabled in noisy environments.

There are two positions for the switch: **volume-limited (85dB)**, designated by ("**85dB**"), and **unlimited**, designated by ("**MAX**").

Note: Using headphones at higher volume levels for extended periods of time may result in listening fatigue and hearing damage. When using the KidJamz in unlimited mode, set the volume on the media device you are using to the lowest level before connecting the headphones, then gradually raise the volume until an acceptable level is reached.

Children should take a 10-minute break every hour of listening in **unlimited** mode and switch back to the **volume-limited** mode when possible.



CARE INSTRUCTIONS

- Clean with a soft cloth, damp with diluted soap water solution if necessary. Do not use chemical cleaners
- If the device comes in contact with liquids, quickly wipe away. If submersed in water, do not turn the device on until completely dried. Note: liquid submersion voids the warranty.

WARRANTY

MEE audio products purchased from authorized resellers are covered by a 1-year manufacturer warranty.

For more information, contact your local MEE audio dealer or visit MEEaudio.com/support.

EU / UK DECLARATION OF CONFORMITY

S2E, Inc. dba MEE audio hereby declares that this wireless device is in compliance with Directive 2014/53/EU and Radio Equipment Regulations 2017. The full text of the EU declaration of conformity is available at meeaudio.com/compliance



ES DECLARACIÓN DE CONFORMIDAD UE/REINO UNIDO:

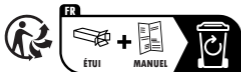
S2E, Inc. dba MEE audio declara por la presente que este dispositivo inalámbrico cumple con la Directiva 2014/53/UE y el Reglamento de equipos de radio de 2017. El texto completo de la Declaración de conformidad de la UE está disponible en meeaudio.com/compliance.

FR DÉCLARATION DE CONFORMITÉ UE / ROYAUME-UNI:

S2E, Inc. dba MEE audio déclare par la présente que cet appareil sans fil est conforme à la directive 2014/53/UE et à la réglementation 2017 relative aux équipements radioélectriques. Le texte intégral de la déclaration de conformité de l'UE est disponible à l'adresse meeaudio.com/compliance.

DE EU / UK KONFORMITÄTSERKLÄRUNG:

S2E, Inc. dba MEE Audio erklärt hiermit, dass dieses drahtlose Gerät der Richtlinie 2014/53/EU und den Radio Equipment Regulations 2017 entspricht. Der vollständige Text der EU-Konformitätserklärung ist unter meeaudio.com/compliance verfügbar.



Points de collecte sur www.quefairedemesdechets.fr
Privilégiez la réparation ou le don de votre appareil !

MEE audio and its logo are registered trademarks of S2E, Inc. All rights reserved.

Siri® is a registered trademarks of Apple Inc.
Google Assistant is a trademark of Google Inc.